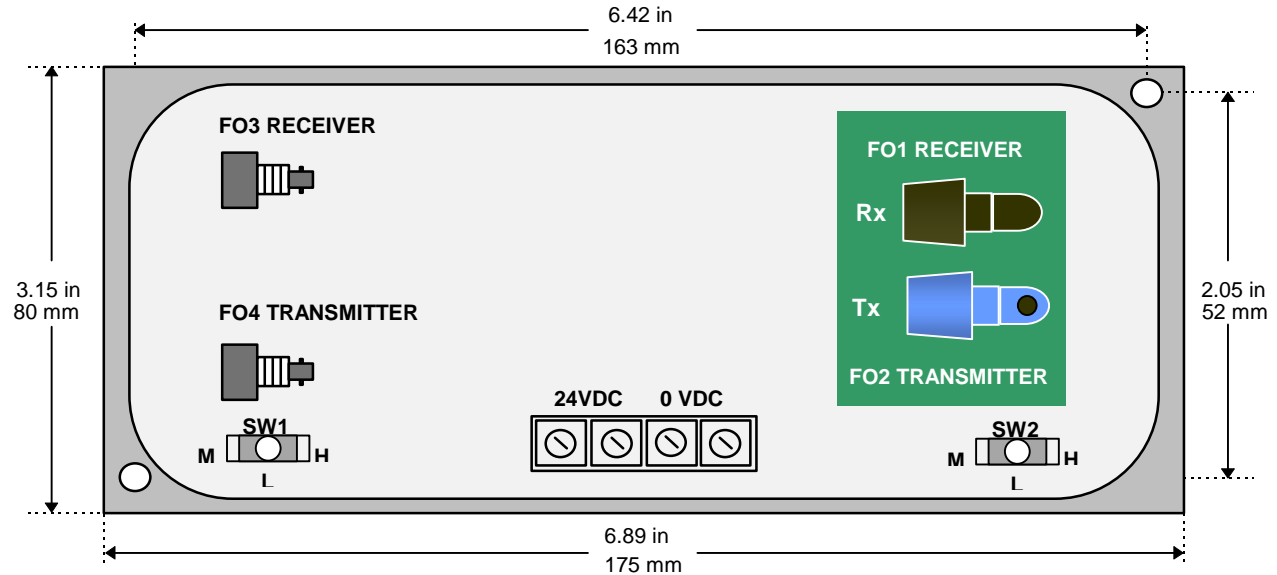


L5206-2-02 Acrylic/Glass LINK Repeater

GENERAL DESCRIPTION

The L5206-2-02 LINK Repeater receives data over acrylic fiber optic medium and retransmits it in the glass fiber optic medium on the LINK fiber optic network. It can also be used to convert glass medium data to acrylic. The LINK Repeater is housed in a NEMA 4 enclosure suitable for mounting outside equipment enclosures or in unprotected environments.

The L5206-2-02 supports the transmission of two LINK channels. Either a primary and secondary channel pair, or two discrete primary channels may be retransmitted.



TECHNICAL SPECIFICATIONS

Environmental

Operating temperature	0°C to 50°C
Storage temperature	-10 °C to +70 °C
Humidity	85% R.H. in a dry, non-condensing environment
Enclosure Rating	NEMA 4, IP-66 (with appropriate waterproof 1/2 inch NPT fittings)

Supply

Supply Voltage	20 to 28 VDC (24VDC nominal)
Current Consumption	55 mA maximum
Power Dissipation	1.5 Watts maximum
Power Terminals	14 to 22 gauge (0.5 to 1.5 mm ²) wire size

Fiber Optic Channels

Acrylic Medium	Insert and twist connector. 1000 micron core fiber with 2mm acrylic jacket fiber optic cable
Glass Medium	ST type connector. 62.5 or 200 micron core glass fiber optic cable
Transmission Distance	Selected by toggle switches. SW1 (controls FO4 glass transmitter) and SW2 (controls FO2 acrylic transmitter)

	Acrylic		Glass	
	1000 mic	62.5 mic	200 mic	200 mic
LOW (center position)	20 m	200 m	200 m	1000 m
MEDIUM (left position)	40 m	200 m	200 m	1000 m
HIGH (right position)	60 m	1500 m	1500 m	3000 m

Physical

Height	6.89 inches (175 mm)
Width	3.15 inches (80 mm)
Depth	2.32 inches (59 mm)
Weight	1.35 lbs (0.61 kg)

L5206-2-02 Acrylic/Glass LINK Repeater

CONNECTION DIAGRAMS

The fiber optic cable connections for each channel are shown below. Note that the arrow denotes the direction of transmission in the fiber, from transmitter to receiver. Each channel is completely independent and hence, can be used either as a primary or a secondary channel.

