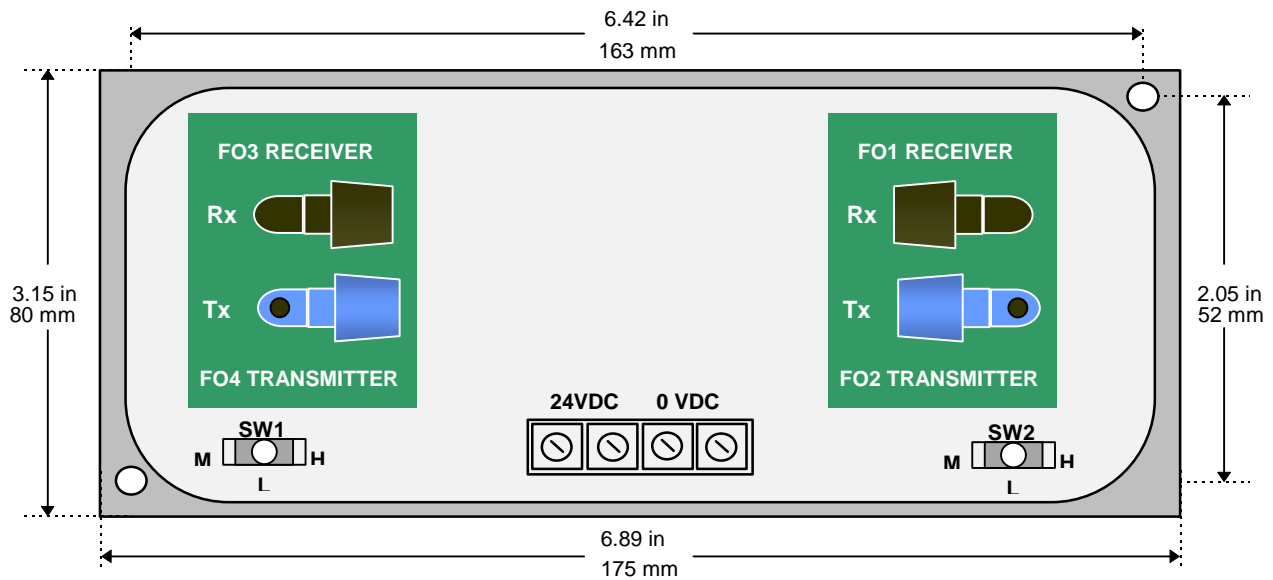


L5206-2-00 LINK Repeater

GENERAL DESCRIPTION

The L5206-2-00 LINK Repeater receives and retransmits data on the LINK fiber optic network. The LINK Repeater is housed in a NEMA 4 enclosure suitable for mounting outside equipment enclosures or in unprotected environments.

The L5206-2-00 supports the transmission of two LINK channels. Either a primary and secondary channel pair, or two discrete primary channels may be retransmitted.



TECHNICAL SPECIFICATIONS

Environmental

Operating temperature	0°C to 50°C
Storage temperature	-10 °C to +70 °C
Humidity	85% R.H. in a dry, non-condensing environment
Enclosure Rating	NEMA 4, IP-66 (with appropriate waterproof 1/2 inch NPT fittings)

Supply

Supply Voltage	20 to 28 VDC (24VDC nominal)
Current Consumption	55 mA maximum
Power Dissipation	1.5 Watts maximum
Power Terminals	14 to 22 gauge (0.5 to 1.5 mm ²) wire size

Fiber Optic Channels

Transmission Distance	Selected by toggle switches. SW1 controls FO4 transmitter and SW2 controls FO2 transmitter
LOW (center position)	up to 66 feet (20 meters)
MEDIUM (left position)	66 to 131 feet (20 to 40 meters)
HIGH (right position)	131 to 197 feet (40 to 60 meters)

Physical

Height	6.89 inches (175 mm)
Width	3.15 inches (80 mm)
Depth	2.32 inches (59 mm)
Weight	1.35 lbs (0.61 kg)

L5206-2-00 LINK Repeater

Connection Diagrams

The fiber optic cable connections for each channel are shown below. Note that the arrow denotes the direction of transmission in the fiber, from transmitter to receiver. Each channel is completely independent and hence, can be used either as primary or a secondary channel.

