

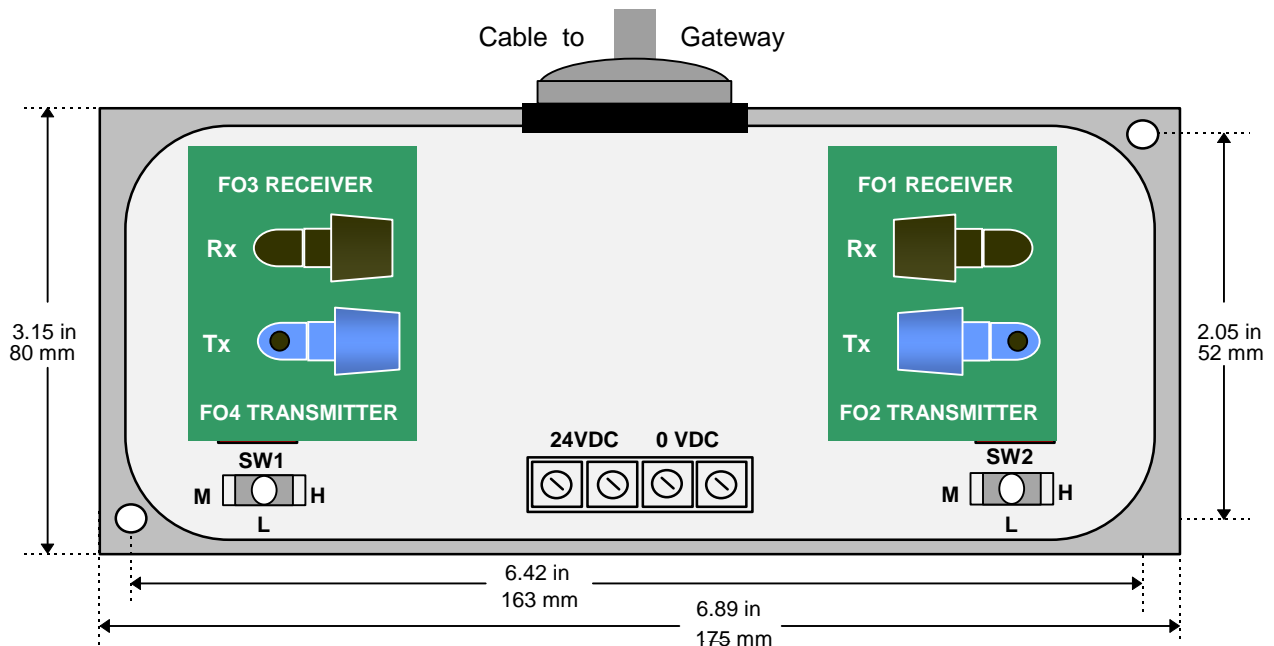
## L5206-2-01 LINK Gateway Repeater

### GENERAL DESCRIPTION

The L5206-2-01 LINK Gateway Repeater receives and retransmits data between the LINK fiber optic network and all LINK Gateways. The gateway is connected via a shielded cable (CM350901) to the repeater's DB25 connector. The L5206-2-01 behaves identically to a simple repeater when the gateway is absent. When a gateway is connected to the repeater, network data is routed through the gateway to include it in the LINK network ring.

The *LINK* Repeater is housed in a NEMA 4 enclosure suitable for mounting outside equipment enclosures or in unprotected environments.

The L5206-2-01 supports the transmission of two *LINK* channels. Either a primary and secondary channel pair, or two discrete primary channels may be retransmitted.



### TECHNICAL SPECIFICATIONS

#### Environmental

|                       |  |
|-----------------------|--|
| Operating temperature | 0°C to 50°C  |
| Storage temperature   | -10 °C to +70 °C   |
| Humidity              | 85% R.H. in a dry, non-condensing environment                        |
| Enclosure Rating      | NEMA 4, IP-66<br>(with appropriate waterproof 1/2 inch NPT fittings) |

#### Supply

|                     |  |
|---------------------|--|
| Supply Voltage      | 20 to 28 VDC (24VDC nominal)                           |
| Current Consumption | 55 mA maximum  |
| Power Dissipation   | 1.5 Watts maximum                                      |
| Power Terminals     | 14 to 22 gauge (0.5 to 1.5 mm <sup>2</sup> ) wire size |

#### Fiber Optic Channels

|                        |  |
|------------------------|--|
| Connectors             | Insert and twist connector. 1000 micron fiber with 2mm acrylic jacket fiber optic cable    |
| Transmission Distance  | Selected by toggle switches. SW1 controls FO4 transmitter and SW2 controls FO2 transmitter |
| LOW (center position)  | up to 66 feet (20 meters)  |
| MEDIUM (left position) | 66 to 131 feet ( 20 to 40 meters)  |
| HIGH (right position)  | 131 to 197 feet ( 40 to 60 meters)   |

#### Physical

|        |                      |
|--------|----------------------|
| Height | 6.89 inches (175 mm) |
| Width  | 3.15 inches (80 mm)  |
| Depth  | 2.32 inches (59 mm)  |
| Weight | 1.35 lbs (0.61 kg)   |

## L5206-2-01 LINK Gateway Repeater

### CONNECTION DIAGRAMS

The fiber optic cable connections for each channel are shown below. Note that the arrow denotes the direction of transmission in the fiber, from transmitter to receiver. Each channel is completely independent and hence, can be used either as a primary or a secondary channel.

|                               |                                |   |
|-------------------------------|--------------------------------|---|
| <p><b>Primary Channel</b></p> | <p><b>Network Topology</b></p> | <p><b>Effect when gateway is disconnected</b></p> |
| <p><b>Main Ring</b></p>       | <p><b>Network Topology</b></p> | <p><b>Effect when gateway is disconnected</b></p> |
| <p><b>Primary Channel</b></p> | <p><b>Network Topology</b></p> | <p><b>Effect when gateway is disconnected</b></p> |
| <p><b>Main Ring</b></p>       | <p><b>Network Topology</b></p> | <p><b>Effect when gateway is disconnected</b></p> |

\* NOTE. Losing a fiber optic signal at either receiver breaks both rings.