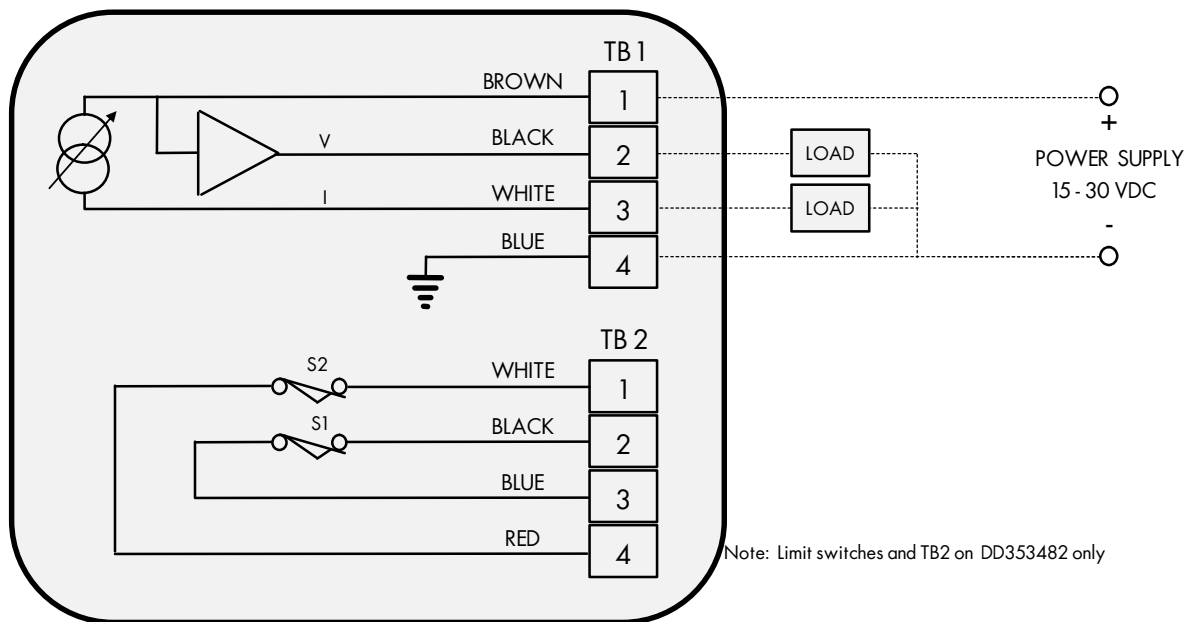


DD353481 Non-Contact Dancer

DD353482 Non-Contact Dancer with Limit Switches

General Description

This device translates rotational position input to a linear voltage output without the mechanical contact wear associated with regular potentiometer type dancer assemblies. A heavy duty bearing provides robustness and the hall effect transducer measures the distance from a rotating eccentric cam to generate an output that represents dancer travel. **Full dancer travel should be geared to provide 200 to 300 degrees of shaft rotation, for best performance.** Model DD353482 features adjustable, high and low travel limit switches.



TECHNICAL SPECIFICATIONS

Environmental		Output	
Operating temperature	-10°C to 70°C	Voltage Output	0 to 10 VDC; Load resistance > 4.7 Kohms
Storage temperature	-10 °C to 70 °C	Current Output	0 to 20 ma; Load resistance < 500 ohms
Humidity	85% R.H. in a dry, non-condensing environment	Slew Rate	125 V/ms
Enclosure Rating	NEMA 12, IP-54	Physical	
Supply		Height	6.00 inches (152 mm)
Supply Voltage	15 to 30 VDC (24VDC nominal)	Width	7.30 inches (185 mm)
No load Current	8 mA maximum	Depth	4.38 inches (111 mm)
Power Dissipation	0.25 Watts	Weight	8.4 lbs (3.8 kg)
Power Terminals	14 to 22 gauge (0.5 to 1.5 mm ²) wire size	Mounting hole diameter	0.28 inches (7 mm)
		Shaft diameter	0.5 inches (12.7 mm)
		Travel Range	300 degrees
		Radial Bearing Load	400 lbs. (max) at tip of shaft

DD353481 Non-Contact Dancer

DD353482 Non-Contact Dancer with Limit Switches

Ordering Information

Non contact Dancer Assembly.....	DD353481
Non contact Dancer Assembly with High and Low Travel Limit Switches.....	DD353482

Dimensional Drawing

